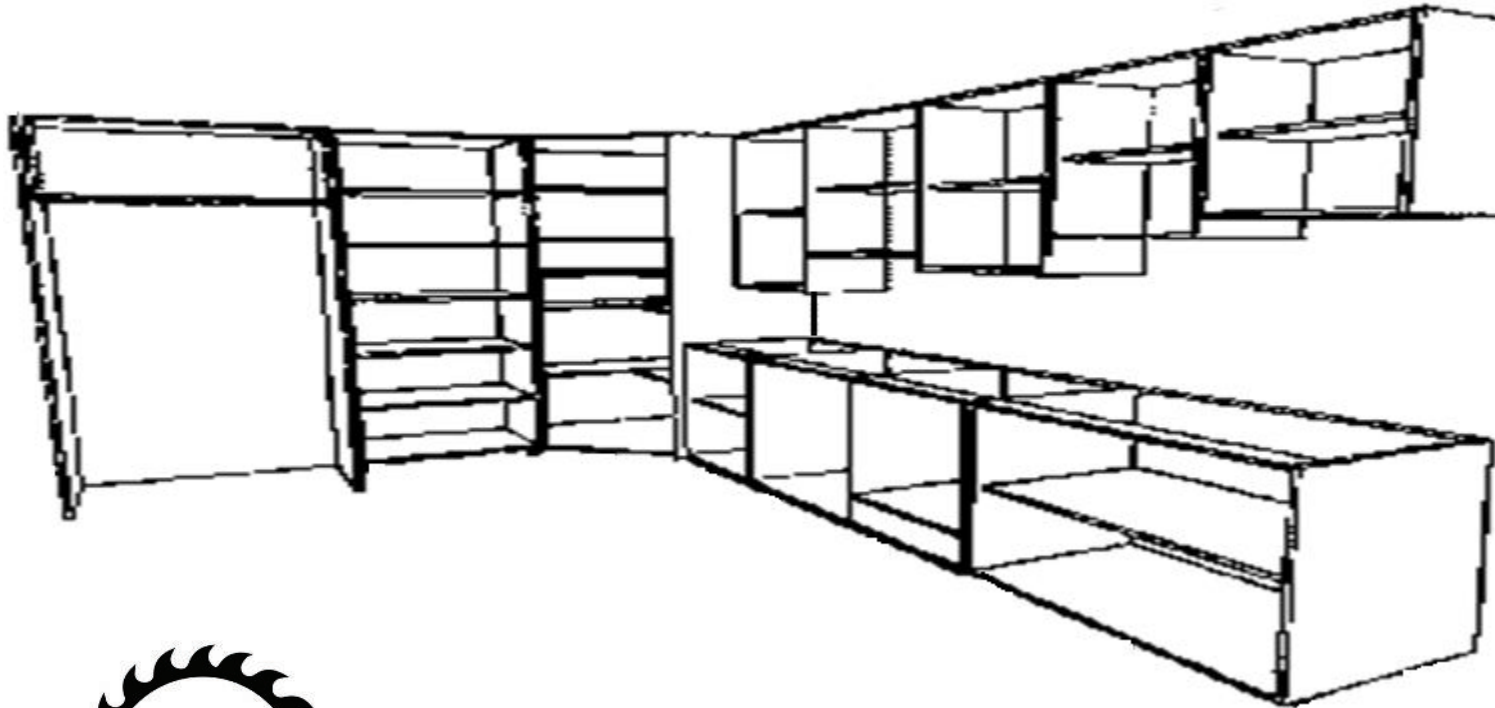


Ready To Assemble Flat Pack Cabinets.



The cut to size specialists.

www.boardandbenchtops.com.au

Table of Contents

Ready To Assemble Flat Pack Cabinets.

Introduction..... 4

Base Cabinets 5 – 7

Drawer Cabinets..... 8 – 13

Wall Cabinets 14 – 19

Tall Cabinets 20 – 22

Introduction.

Ready To Assemble Flat Pack Cabinets.

Board and Benchtops are proud manufacturers of flat pack cabinets, supplying the Sydney metropolitan area, as well as regional areas throughout NSW.

By purchasing your flat pack cabinets through Board and Benchtops, you are dealing direct with the manufacturer. This advantage enables you to such benefits like competitive pricing, experienced sales support and friendly customer service throughout your entire flat pack experience, from beginning to end.

We take the hassle out of it for you, making the flat pack cabinets simple for you to assemble and install. We manufacture our flat pack cabinets using state of the art machinery including a beam saw, CNC router and our large commercial edge bander, to ensure precision and accuracy, resulting in a high quality product for you.

Unlike some other flat pack cabinet suppliers, our board materials are all manufactured here in Australia, so you don't have to worry about cheap overseas imported board which is dangerous to your family's health, with its high levels of formaldehyde.

Additional to standard width cabinets, we offer the option of customised width cabinets, which some flat pack cabinet suppliers may not. This is important because you need to utilise as much storage space as possible, which is sometimes very difficult using standard width cabinets.

Board and Benchtops offer various additional cabinetry accessories to compliment our flat pack cabinets including a huge selection of colours for benchtops, a variety of options for door and drawer front solutions, handles to suit practically any décor, as well as the latest in cabinetry hardware including soft close hinges and drawers, LED lights and numerous storage solution ideas. For more information, please ask your sales consultant when you speak to them about your flat pack cabinets.

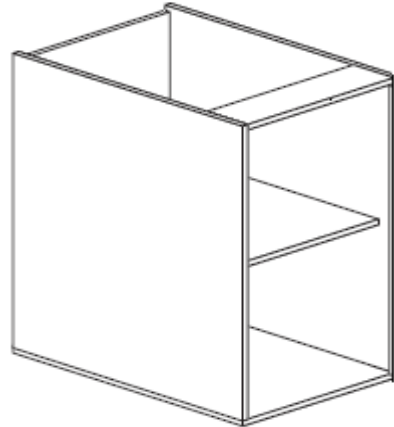
Hinged Door Base Cabinets.

Ready To Assemble Flat Pack Cabinets.

Cabinet Code	Cabinet Dimensions	Cabinet Description
BC150	Height=720mm, Width=150mm, Depth=560mm,	Base Cabinet - Hinged for a single door.
BC200	Height=720mm, Width=200mm, Depth=560mm,	Base Cabinet - Hinged for a single door.
BC300	Height=720mm, Width=300mm, Depth=560mm,	Base Cabinet - Hinged for a single door.
BC400	Height=720mm, Width=400mm, Depth=560mm,	Base Cabinet - Hinged for a single door.
BC450	Height=720mm, Width=450mm, Depth=560mm,	Base Cabinet - Hinged for a single door.
BC500	Height=720mm, Width=500mm, Depth=560mm,	Base Cabinet - Hinged for a single door.
BC600	Height=720mm, Width=600mm, Depth=560mm,	Base Cabinet - Hinged for a single door.
BC700	Height=720mm, Width=700mm, Depth=560mm,	Base Cabinet - Hinged for two doors.
BC800	Height=720mm, Width=800mm, Depth=560mm,	Base Cabinet - Hinged for two doors.
BC900	Height=720mm, Width=900mm, Depth=560mm,	Base Cabinet - Hinged for two doors.
BC1000	Height=720mm, Width=1000mm, Depth=560mm,	Base Cabinet - Hinged for two doors.
BC1100	Height=720mm, Width=1100mm, Depth=560mm,	Base Cabinet - Hinged for two doors.
BC1200	Height=720mm, Width=1200mm, Depth=560mm,	Base Cabinet - Hinged for two doors.

Important: Additional Notes.

- Hardware included consists of standard hinges with mounting plates, adjustable legs with blocks, white shelf supports and cabinet screws.
- Material used is 16mm white HMR particleboard with 1mm ABS edging.
- Doors, handles and benchtops are all sold separately.
- Discounts are available but conditions apply. Please refer to your price list and speak to your sales consultant to see if you are eligible.



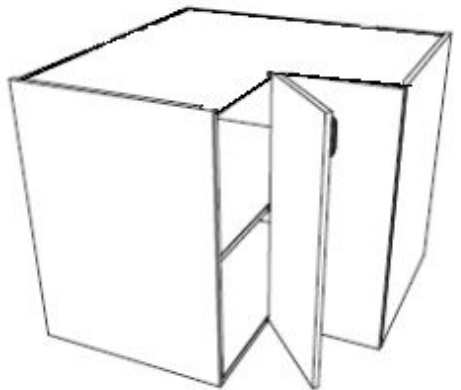
Hinged Door Base Corner Cabinets.

Ready To Assemble Flat Pack Cabinets.

Cabinet Code	Cabinet Dimensions	Cabinet Description
BCCL900	Height=720mm, Width=900 x 900mm, Depth=560mm,	Base Corner Cabinet L-Shape Hinged for a single door.
BCCB450	Height=720mm, Width=1100mm, Depth=560mm,	Base Corner Cabinet Blind - 450 Hinged Single Door.
BCCB500	Height=720mm, Width=1150mm, Depth=560mm,	Base Corner Cabinet Blind - 500 Hinged Single Door.
BCCB600	Height=720mm, Width=1200mm, Depth=560mm,	Base Corner Cabinet Blind - 600 Hinged Single Door.

Important: Additional Notes.

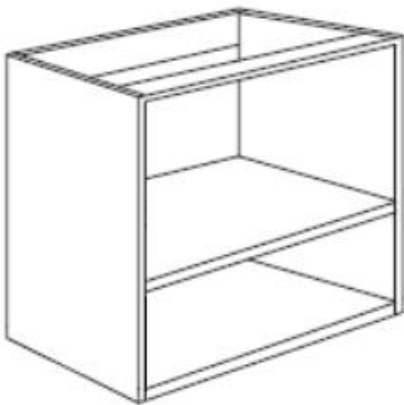
- Hardware included consists of standard hinges with mounting plates, adjustable legs with blocks, white shelf supports and cabinet screws.
- Material used is 16mm white HMR particleboard with 1mm ABS edging.
- Doors, handles and benchtops are all sold separately.
- Discounts are available but conditions apply. Please refer to your price list and speak to your sales consultant to see if you are eligible.



Base Oven Cabinets.

Ready To Assemble Flat Pack Cabinets.

Cabinet Code	Cabinet Dimensions	Cabinet Description
BOC600	Height=720mm, Width=600mm, Depth=560mm,	Base Oven Cabinet 600mm wide - No Back.
BOC900	Height=720mm, Width=900mm, Depth=560mm,	Base Oven Cabinet 900mm wide - No Back.



Important: Additional Notes.

- Hardware included consists of adjustable legs with blocks and cabinet screws.
- Material used is 16mm white HMR particleboard with 1mm ABS edging.
- Doors, handles and benchtops are all sold separately.
- Discounts are available but conditions apply. Please refer to your price list and speak to your sales consultant to see if you are eligible.

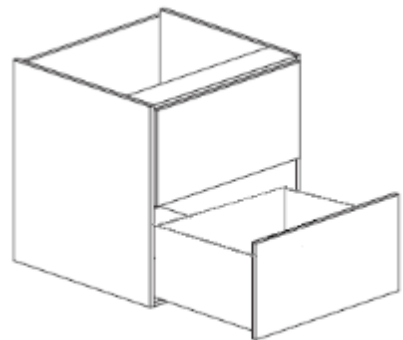
Two Drawer Cabinets – Equal Fronts.

Ready To Assemble Flat Pack Cabinets.

Cabinet Code	Cabinet Dimensions	Cabinet Description
DCS2DRE400	Height=720mm, Width=400mm, Depth=560mm,	Drawer Cabinet - Standard Multitech 2 Drawer Equal
DCS2DRE450	Height=720mm, Width=450mm, Depth=560mm,	Drawer Cabinet - Standard Multitech 2 Drawer Equal
DCS2DRE500	Height=720mm, Width=500mm, Depth=560mm,	Drawer Cabinet - Standard Multitech 2 Drawer Equal
DCS2DRE600	Height=720mm, Width=600mm, Depth=560mm,	Drawer Cabinet - Standard Multitech 2 Drawer Equal
DCS2DRE700	Height=720mm, Width=700mm, Depth=560mm,	Drawer Cabinet - Standard Multitech 2 Drawer Equal
DCS2DRE800	Height=720mm, Width=800mm, Depth=560mm,	Drawer Cabinet - Standard Multitech 2 Drawer Equal
DCS2DRE900	Height=720mm, Width=900mm, Depth=560mm,	Drawer Cabinet - Standard Multitech 2 Drawer Equal
DCS2DRE1000	Height=720mm, Width=1000mm, Depth=560mm,	Drawer Cabinet - Standard Multitech 2 Drawer Equal
Cabinet Code	Cabinet Dimensions	Cabinet Description
DCU2DRE400	Height=720mm, Width=400mm, Depth=560mm,	Drawer Cabinet - Upgrade Innotech 2 Drawer Equal
DCU2DRE450	Height=720mm, Width=450mm, Depth=560mm,	Drawer Cabinet - Upgrade Innotech 2 Drawer Equal
DCU2DRE500	Height=720mm, Width=500mm, Depth=560mm,	Drawer Cabinet - Upgrade Innotech 2 Drawer Equal
DCU2DRE600	Height=720mm, Width=600mm, Depth=560mm,	Drawer Cabinet - Upgrade Innotech 2 Drawer Equal
DCU2DRE700	Height=720mm, Width=700mm, Depth=560mm,	Drawer Cabinet - Upgrade Innotech 2 Drawer Equal
DCU2DRE800	Height=720mm, Width=800mm, Depth=560mm,	Drawer Cabinet - Upgrade Innotech 2 Drawer Equal
DCU2DRE900	Height=720mm, Width=900mm, Depth=560mm,	Drawer Cabinet - Upgrade Innotech 2 Drawer Equal
DCU2DRE1000	Height=720mm, Width=1000mm, Depth=560mm,	Drawer Cabinet - Upgrade Innotech 2 Drawer Equal

Important: Additional Notes.

- Hardware included consists of drawers, adjustable legs with blocks, drawer runner screws and cabinet screws.
- Material used is 16mm white HMR particleboard with 1mm ABS edging.
- Doors, handles and benchtops are all sold separately.
- Discounts are available but conditions apply. Please refer to your price list and speak to your sales consultant to see if you are eligible.



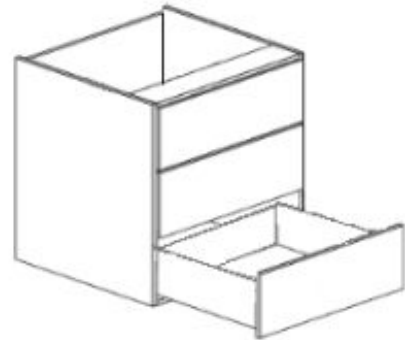
Three Drawer Cabinets – Equal Fronts.

Ready To Assemble Flat Pack Cabinets.

Cabinet Code	Cabinet Dimensions	Cabinet Description
DCS3DRE400	Height=720mm, Width=400mm, Depth=560mm,	Drawer Cabinet - Standard Multitech 3 Drawer Equal
DCS3DRE450	Height=720mm, Width=450mm, Depth=560mm,	Drawer Cabinet - Standard Multitech 3 Drawer Equal
DCS3DRE500	Height=720mm, Width=500mm, Depth=560mm,	Drawer Cabinet - Standard Multitech 3 Drawer Equal
DCS3DRE600	Height=720mm, Width=600mm, Depth=560mm,	Drawer Cabinet - Standard Multitech 3 Drawer Equal
DCS3DRE700	Height=720mm, Width=700mm, Depth=560mm,	Drawer Cabinet - Standard Multitech 3 Drawer Equal
DCS3DRE800	Height=720mm, Width=800mm, Depth=560mm,	Drawer Cabinet - Standard Multitech 3 Drawer Equal
DCS3DRE900	Height=720mm, Width=900mm, Depth=560mm,	Drawer Cabinet - Standard Multitech 3 Drawer Equal
DCS3DRE1000	Height=720mm, Width=1000mm, Depth=560mm,	Drawer Cabinet - Standard Multitech 3 Drawer Equal
Cabinet Code	Cabinet Dimensions	Cabinet Description
DCU3DRE400	Height=720mm, Width=400mm, Depth=560mm,	Drawer Cabinet - Upgrade Innnotech 3 Drawer Equal
DCU3DRE450	Height=720mm, Width=450mm, Depth=560mm,	Drawer Cabinet - Upgrade Innnotech 3 Drawer Equal
DCU3DRE500	Height=720mm, Width=500mm, Depth=560mm,	Drawer Cabinet - Upgrade Innnotech 3 Drawer Equal
DCU3DRE600	Height=720mm, Width=600mm, Depth=560mm,	Drawer Cabinet - Upgrade Innnotech 3 Drawer Equal
DCU3DRE700	Height=720mm, Width=700mm, Depth=560mm,	Drawer Cabinet - Upgrade Innnotech 3 Drawer Equal
DCU3DRE800	Height=720mm, Width=800mm, Depth=560mm,	Drawer Cabinet - Upgrade Innnotech 3 Drawer Equal
DCU3DRE900	Height=720mm, Width=900mm, Depth=560mm,	Drawer Cabinet - Upgrade Innnotech 3 Drawer Equal
DCU3DRE1000	Height=720mm, Width=1000mm, Depth=560mm,	Drawer Cabinet - Upgrade Innnotech 3 Drawer Equal

Important: Additional Notes.

- Hardware included consists of drawers, adjustable legs with blocks, drawer runner screws and cabinet screws.
- Material used is 16mm white HMR particleboard with 1mm ABS edging.
- Doors, handles and benchtops are all sold separately.
- Discounts are available but conditions apply. Please refer to your price list and speak to your sales consultant to see if you are eligible.



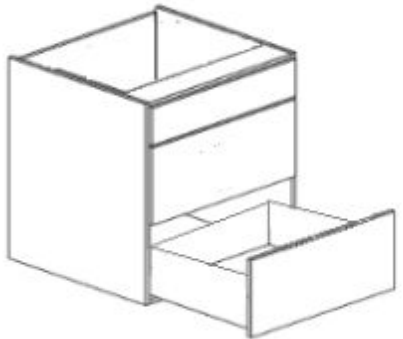
Three Drawer Cabinets – One Small, Two Large Fronts.

Ready To Assemble Flat Pack Cabinets.

Cabinet Code	Cabinet Dimensions	Cabinet Description
DCS3DR1S2L400	Height=720mm, Width=400mm, Depth=560mm,	Drawer Cabinet - Standard Multitech 3 Drawer, 1 Small, 2 Large
DCS3DR1S2L450	Height=720mm, Width=450mm, Depth=560mm,	Drawer Cabinet - Standard Multitech 3 Drawer, 1 Small, 2 Large
DCS3DR1S2L500	Height=720mm, Width=500mm, Depth=560mm,	Drawer Cabinet - Standard Multitech 3 Drawer, 1 Small, 2 Large
DCS3DR1S2L600	Height=720mm, Width=600mm, Depth=560mm,	Drawer Cabinet - Standard Multitech 3 Drawer, 1 Small, 2 Large
DCS3DR1S2L700	Height=720mm, Width=700mm, Depth=560mm,	Drawer Cabinet - Standard Multitech 3 Drawer, 1 Small, 2 Large
DCS3DR1S2L800	Height=720mm, Width=800mm, Depth=560mm,	Drawer Cabinet - Standard Multitech 3 Drawer, 1 Small, 2 Large
DCS3DR1S2L900	Height=720mm, Width=900mm, Depth=560mm,	Drawer Cabinet - Standard Multitech 3 Drawer, 1 Small, 2 Large
DCS3DR1S2L1000	Height=720mm, Width=1000mm, Depth=560mm,	Drawer Cabinet - Standard Multitech 3 Drawer, 1 Small, 2 Large
Cabinet Code	Cabinet Dimensions	Cabinet Description
DCU3DR1S2L400	Height=720mm, Width=400mm, Depth=560mm,	Drawer Cabinet - Upgrade Innotech 3 Drawer, 1 Small, 2 Large
DCU3DR1S2L450	Height=720mm, Width=450mm, Depth=560mm,	Drawer Cabinet - Upgrade Innotech 3 Drawer, 1 Small, 2 Large
DCU3DR1S2L500	Height=720mm, Width=500mm, Depth=560mm,	Drawer Cabinet - Upgrade Innotech 3 Drawer, 1 Small, 2 Large
DCU3DR1S2L600	Height=720mm, Width=600mm, Depth=560mm,	Drawer Cabinet - Upgrade Innotech 3 Drawer, 1 Small, 2 Large
DCU3DR1S2L700	Height=720mm, Width=700mm, Depth=560mm,	Drawer Cabinet - Upgrade Innotech 3 Drawer, 1 Small, 2 Large
DCU3DR1S2L800	Height=720mm, Width=800mm, Depth=560mm,	Drawer Cabinet - Upgrade Innotech 3 Drawer, 1 Small, 2 Large
DCU3DR1S2L900	Height=720mm, Width=900mm, Depth=560mm,	Drawer Cabinet - Upgrade Innotech 3 Drawer, 1 Small, 2 Large
DCU3DR1S2L1000	Height=720mm, Width=1000mm, Depth=560mm,	Drawer Cabinet - Upgrade Innotech 3 Drawer, 1 Small, 2 Large

Important: Additional Notes.

- Hardware included consists of drawers, adjustable legs with blocks, drawer runner screws and cabinet screws.
- Material used is 16mm white HMR particleboard with 1mm ABS edging.
- Doors, handles and benchtops are all sold separately.
- Discounts are available but conditions apply. Please refer to your price list and speak to your sales consultant to see if you are eligible.



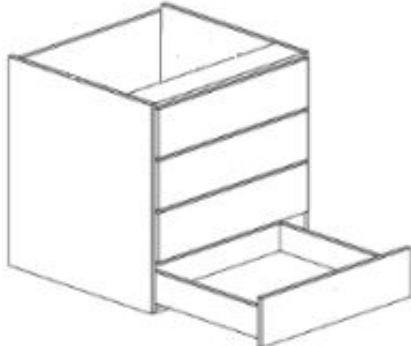
Four Drawer Cabinets – Equal Fronts.

Ready To Assemble Flat Pack Cabinets.

Cabinet Code	Cabinet Dimensions	Cabinet Description
DCS4DRE400	Height=720mm, Width=400mm, Depth=560mm,	Drawer Cabinet - Standard Multitech 4 Drawer Equal
DCS4DRE450	Height=720mm, Width=450mm, Depth=560mm,	Drawer Cabinet - Standard Multitech 4 Drawer Equal
DCS4DRE500	Height=720mm, Width=500mm, Depth=560mm,	Drawer Cabinet - Standard Multitech 4 Drawer Equal
DCS4DRE600	Height=720mm, Width=600mm, Depth=560mm,	Drawer Cabinet - Standard Multitech 4 Drawer Equal
DCS4DRE700	Height=720mm, Width=700mm, Depth=560mm,	Drawer Cabinet - Standard Multitech 4 Drawer Equal
DCS4DRE800	Height=720mm, Width=800mm, Depth=560mm,	Drawer Cabinet - Standard Multitech 4 Drawer Equal
DCS4DRE900	Height=720mm, Width=900mm, Depth=560mm,	Drawer Cabinet - Standard Multitech 4 Drawer Equal
DCS4DRE1000	Height=720mm, Width=1000mm, Depth=560mm,	Drawer Cabinet - Standard Multitech 4 Drawer Equal
Cabinet Code	Cabinet Dimensions	Cabinet Description
DCU4DRE400	Height=720mm, Width=400mm, Depth=560mm,	Drawer Cabinet - Upgrade Innotech 4 Drawer Equal
DCU4DRE450	Height=720mm, Width=450mm, Depth=560mm,	Drawer Cabinet - Upgrade Innotech 4 Drawer Equal
DCU4DRE500	Height=720mm, Width=500mm, Depth=560mm,	Drawer Cabinet - Upgrade Innotech 4 Drawer Equal
DCU4DRE600	Height=720mm, Width=600mm, Depth=560mm,	Drawer Cabinet - Upgrade Innotech 4 Drawer Equal
DCU4DRE700	Height=720mm, Width=700mm, Depth=560mm,	Drawer Cabinet - Upgrade Innotech 4 Drawer Equal
DCU4DRE800	Height=720mm, Width=800mm, Depth=560mm,	Drawer Cabinet - Upgrade Innotech 4 Drawer Equal
DCU4DRE900	Height=720mm, Width=900mm, Depth=560mm,	Drawer Cabinet - Upgrade Innotech 4 Drawer Equal
DCU4DRE1000	Height=720mm, Width=1000mm, Depth=560mm,	Drawer Cabinet - Upgrade Innotech 4 Drawer Equal

Important: Additional Notes.

- Hardware included consists of drawers, adjustable legs with blocks, drawer runner screws and cabinet screws.
- Material used is 16mm white HMR particleboard with 1mm ABS edging.
- Doors, handles and benchtops are all sold separately.
- Discounts are available but conditions apply. Please refer to your price list and speak to your sales consultant to see if you are eligible.



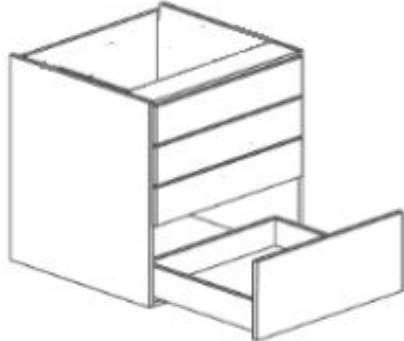
Four Drawer Cabinets – Three Small, One Large Fronts.

Ready To Assemble Flat Pack Cabinets.

Cabinet Code	Cabinet Dimensions	Cabinet Description
DCS4DR3S1L400	Height=720mm, Width=400mm, Depth=560mm,	Drawer Cabinet - Standard Multitech 4 Drawer, 3 Small, 1 Large
DCS4DR3S1L450	Height=720mm, Width=450mm, Depth=560mm,	Drawer Cabinet - Standard Multitech 4 Drawer, 3 Small, 1 Large
DCS4DR3S1L500	Height=720mm, Width=500mm, Depth=560mm,	Drawer Cabinet - Standard Multitech 4 Drawer, 3 Small, 1 Large
DCS4DR3S1L600	Height=720mm, Width=600mm, Depth=560mm,	Drawer Cabinet - Standard Multitech 4 Drawer, 3 Small, 1 Large
DCS4DR3S1L700	Height=720mm, Width=700mm, Depth=560mm,	Drawer Cabinet - Standard Multitech 4 Drawer, 3 Small, 1 Large
DCS4DR3S1L800	Height=720mm, Width=800mm, Depth=560mm,	Drawer Cabinet - Standard Multitech 4 Drawer, 3 Small, 1 Large
DCS4DR3S1L900	Height=720mm, Width=900mm, Depth=560mm,	Drawer Cabinet - Standard Multitech 4 Drawer, 3 Small, 1 Large
DCS4DR3S1L1000	Height=720mm, Width=1000mm, Depth=560mm,	Drawer Cabinet - Standard Multitech 4 Drawer, 3 Small, 1 Large
Cabinet Code	Cabinet Dimensions	Cabinet Description
DCU4DR3S1L400	Height=720mm, Width=400mm, Depth=560mm,	Drawer Cabinet - Upgrade Innotech 4 Drawer, 3 Small, 1 Large
DCU4DR3S1L450	Height=720mm, Width=450mm, Depth=560mm,	Drawer Cabinet - Upgrade Innotech 4 Drawer, 3 Small, 1 Large
DCU4DR3S1L500	Height=720mm, Width=500mm, Depth=560mm,	Drawer Cabinet - Upgrade Innotech 4 Drawer, 3 Small, 1 Large
DCU4DR3S1L600	Height=720mm, Width=600mm, Depth=560mm,	Drawer Cabinet - Upgrade Innotech 4 Drawer, 3 Small, 1 Large
DCU4DR3S1L700	Height=720mm, Width=700mm, Depth=560mm,	Drawer Cabinet - Upgrade Innotech 4 Drawer, 3 Small, 1 Large
DCU4DR3S1L800	Height=720mm, Width=800mm, Depth=560mm,	Drawer Cabinet - Upgrade Innotech 4 Drawer, 3 Small, 1 Large
DCU4DR3S1L900	Height=720mm, Width=900mm, Depth=560mm,	Drawer Cabinet - Upgrade Innotech 4 Drawer, 3 Small, 1 Large
DCU4DR3S1L1000	Height=720mm, Width=1000mm, Depth=560mm,	Drawer Cabinet - Upgrade Innotech 4 Drawer, 3 Small, 1 Large

Important: Additional Notes.

- Hardware included consists of drawers, adjustable legs with blocks, drawer runner screws and cabinet screws.
- Material used is 16mm white HMR particleboard with 1mm ABS edging.
- Doors, handles and benchtops are all sold separately.
- Discounts are available but conditions apply. Please refer to your price list and speak to your sales consultant to see if you are eligible.



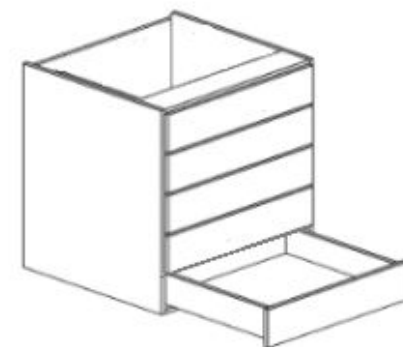
Five Drawer Cabinets – Equal Fronts.

Ready To Assemble Flat Pack Cabinets.

Cabinet Code	Cabinet Dimensions	Cabinet Description
DCS5DRE400	Height=720mm, Width=400mm, Depth=560mm,	Drawer Cabinet - Standard Multitech 5 Drawer Equal
DCS5DRE450	Height=720mm, Width=450mm, Depth=560mm,	Drawer Cabinet - Standard Multitech 5 Drawer Equal
DCS5DRE500	Height=720mm, Width=500mm, Depth=560mm,	Drawer Cabinet - Standard Multitech 5 Drawer Equal
DCS5DRE600	Height=720mm, Width=600mm, Depth=560mm,	Drawer Cabinet - Standard Multitech 5 Drawer Equal
DCS5DRE700	Height=720mm, Width=700mm, Depth=560mm,	Drawer Cabinet - Standard Multitech 5 Drawer Equal
DCS5DRE800	Height=720mm, Width=800mm, Depth=560mm,	Drawer Cabinet - Standard Multitech 5 Drawer Equal
DCS5DRE900	Height=720mm, Width=900mm, Depth=560mm,	Drawer Cabinet - Standard Multitech 5 Drawer Equal
DCS5DRE1000	Height=720mm, Width=1000mm, Depth=560mm,	Drawer Cabinet - Standard Multitech 5 Drawer Equal
Cabinet Code	Cabinet Dimensions	Cabinet Description
DCU5DRE400	Height=720mm, Width=400mm, Depth=560mm,	Drawer Cabinet - Upgrade Innotech 5 Drawer Equal
DCU5DRE450	Height=720mm, Width=450mm, Depth=560mm,	Drawer Cabinet - Upgrade Innotech 5 Drawer Equal
DCU5DRE500	Height=720mm, Width=500mm, Depth=560mm,	Drawer Cabinet - Upgrade Innotech 5 Drawer Equal
DCU5DRE600	Height=720mm, Width=600mm, Depth=560mm,	Drawer Cabinet - Upgrade Innotech 5 Drawer Equal
DCU5DRE700	Height=720mm, Width=700mm, Depth=560mm,	Drawer Cabinet - Upgrade Innotech 5 Drawer Equal
DCU5DRE800	Height=720mm, Width=800mm, Depth=560mm,	Drawer Cabinet - Upgrade Innotech 5 Drawer Equal
DCU5DRE900	Height=720mm, Width=900mm, Depth=560mm,	Drawer Cabinet - Upgrade Innotech 5 Drawer Equal
DCU5DRE1000	Height=720mm, Width=1000mm, Depth=560mm,	Drawer Cabinet - Upgrade Innotech 5 Drawer Equal

Important: Additional Notes.

- Hardware included consists of drawers, adjustable legs with blocks, drawer runner screws and cabinet screws.
- Material used is 16mm white HMR particleboard with 1mm ABS edging.
- Doors, handles and benchtops are all sold separately.
- Discounts are available but conditions apply. Please refer to your price list and speak to your sales consultant to see if you are eligible.



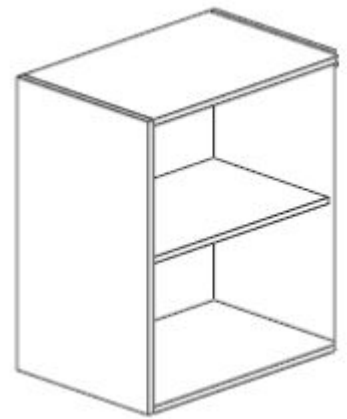
Hinged Door Wall Cabinets – 600mm High.

Ready To Assemble Flat Pack Cabinets.

Cabinet Code	Cabinet Dimensions	Cabinet Description
WC150H6	Height=600mm, Width=150mm, Depth=300mm,	Wall Cabinet - Hinged for a single door.
WC200H6	Height=600mm, Width=200mm, Depth=300mm,	Wall Cabinet - Hinged for a single door.
WC300H6	Height=600mm, Width=300mm, Depth=300mm,	Wall Cabinet - Hinged for a single door.
WC400H6	Height=600mm, Width=400mm, Depth=300mm,	Wall Cabinet - Hinged for a single door.
WC500H6	Height=600mm, Width=500mm, Depth=300mm,	Wall Cabinet - Hinged for a single door.
WC600H6	Height=600mm, Width=600mm, Depth=300mm,	Wall Cabinet - Hinged for a single door.
WC700H6	Height=600mm, Width=700mm, Depth=300mm,	Wall Cabinet - Hinged for two doors.
WC800H6	Height=600mm, Width=800mm, Depth=300mm,	Wall Cabinet - Hinged for two doors.
WC900H6	Height=600mm, Width=900mm, Depth=300mm,	Wall Cabinet - Hinged for two doors.
WC1000H6	Height=600mm, Width=1000mm, Depth=300mm,	Wall Cabinet - Hinged for two doors.
WC1100H6	Height=600mm, Width=1100mm, Depth=300mm,	Wall Cabinet - Hinged for two doors.
WC1200H6	Height=600mm, Width=1200mm, Depth=300mm,	Wall Cabinet - Hinged for two doors.

Important: Additional Notes.

- Hardware included consists of standard hinges with mounting plates, white shelf supports and cabinet screws.
- Material used is 16mm white HMR particleboard with 1mm ABS edging.
- Doors, handles and benchtops are all sold separately.
- Discounts are available but conditions apply. Please refer to your price list and speak to your sales consultant to see if you are eligible.



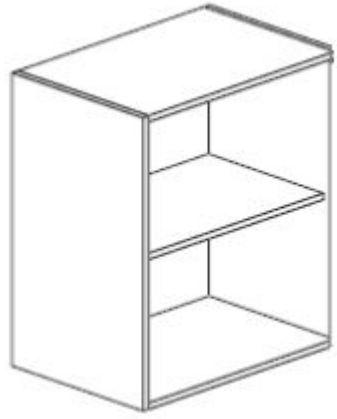
Hinged Door Wall Cabinets – 720mm High.

Ready To Assemble Flat Pack Cabinets.

Cabinet Code	Cabinet Dimensions	Cabinet Description
WC150H7	Height=720mm, Width=150mm, Depth=300mm,	Wall Cabinet - Hinged for a single door.
WC200H7	Height=720mm, Width=200mm, Depth=300mm,	Wall Cabinet - Hinged for a single door.
WC300H7	Height=720mm, Width=300mm, Depth=300mm,	Wall Cabinet - Hinged for a single door.
WC400H7	Height=720mm, Width=400mm, Depth=300mm,	Wall Cabinet - Hinged for a single door.
WC500H7	Height=720mm, Width=500mm, Depth=300mm,	Wall Cabinet - Hinged for a single door.
WC600H7	Height=720mm, Width=600mm, Depth=300mm,	Wall Cabinet - Hinged for a single door.
WC700H7	Height=720mm, Width=700mm, Depth=300mm,	Wall Cabinet - Hinged for two doors.
WC800H7	Height=720mm, Width=800mm, Depth=300mm,	Wall Cabinet - Hinged for two doors.
WC900H7	Height=720mm, Width=900mm, Depth=300mm,	Wall Cabinet - Hinged for two doors.
WC1000H7	Height=720mm, Width=1000mm, Depth=300mm,	Wall Cabinet - Hinged for two doors.
WC1100H7	Height=720mm, Width=1100mm, Depth=300mm,	Wall Cabinet - Hinged for two doors.
WC1200H7	Height=720mm, Width=1200mm, Depth=300mm,	Wall Cabinet - Hinged for two doors.

Important: Additional Notes.

- Hardware included consists of standard hinges with mounting plates, white shelf supports and cabinet screws.
- Material used is 16mm white HMR particleboard with 1mm ABS edging.
- Doors, handles and benchtops are all sold separately.
- Discounts are available but conditions apply. Please refer to your price list and speak to your sales consultant to see if you are eligible.



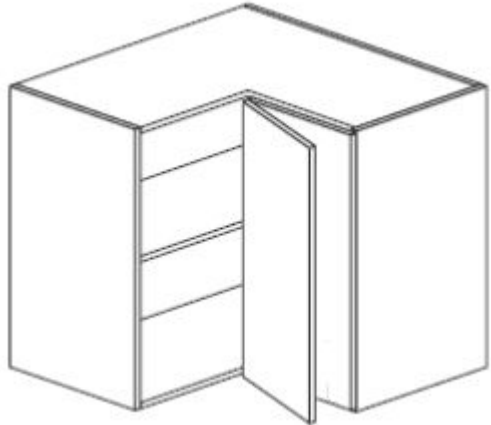
Hinged Door Wall Corner Cabinets – 600mm High.

Ready To Assemble Flat Pack Cabinets.

Cabinet Code	Cabinet Dimensions	Cabinet Description
WCCL600H6	Height=600mm, Width=600 x 600mm, Depth=300mm,	Wall Corner Cabinet L-Shape Hinged for a single door.
WCCB450H6	Height=600mm, Width=800mm, Depth=300mm,	Wall Corner Cabinet Blind - 450 Hinged Single Door.
WCCB500H6	Height=600mm, Width=850mm, Depth=300mm,	Wall Corner Cabinet Blind - 500 Hinged Single Door.
WCCB600H6	Height=600mm, Width=950mm, Depth=300mm,	Wall Corner Cabinet Blind - 600 Hinged Single Door.

Important: Additional Notes.

- Hardware included consists of standard hinges with mounting plates, white shelf supports and cabinet screws.
- Material used is 16mm white HMR particleboard with 1mm ABS edging.
- Doors, handles and benchtops are all sold separately.
- Discounts are available but conditions apply. Please refer to your price list and speak to your sales consultant to see if you are eligible.



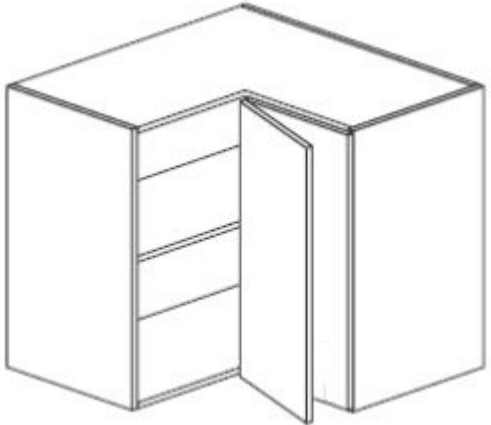
Hinged Door Wall Corner Cabinets – 720mm High.

Ready To Assemble Flat Pack Cabinets.

Cabinet Code	Cabinet Dimensions	Cabinet Description
WCCL600H7	Height=720mm, Width=600 x 600mm, Depth=300mm,	Wall Corner Cabinet L-Shape Hinged for a single door.
WCCB450H7	Height=720mm, Width=800mm, Depth=300mm,	Wall Corner Cabinet Blind - 450 Hinged Single Door.
WCCB500H7	Height=720mm, Width=850mm, Depth=300mm,	Wall Corner Cabinet Blind - 500 Hinged Single Door.
WCCB600H7	Height=720mm, Width=950mm, Depth=300mm,	Wall Corner Cabinet Blind - 600 Hinged Single Door.

Important: Additional Notes.

- Hardware included consists of standard hinges with mounting plates, white shelf supports and cabinet screws.
- Material used is 16mm white HMR particleboard with 1mm ABS edging.
- Doors, handles and benchtops are all sold separately.
- Discounts are available but conditions apply. Please refer to your price list and speak to your sales consultant to see if you are eligible.



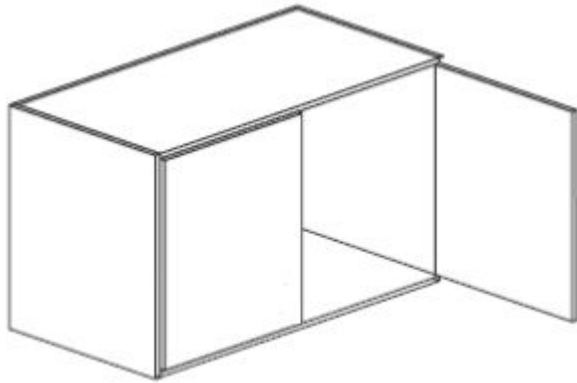
Hinged Door Wall Fridge Cabinets.

Ready To Assemble Flat Pack Cabinets.

Cabinet Code	Cabinet Dimensions	Cabinet Description
WFC600	Height=360mm, Width=600mm, Depth=450mm,	Wall Fridge Cabinet - Hinged for two doors.
WFC900	Height=360mm, Width=900mm, Depth=450mm,	Wall Fridge Cabinet - Hinged for two doors.

Important: Additional Notes.

- Hardware included consists of standard hinges with mounting plates, and cabinet screws.
- Material used is 16mm white HMR particleboard with 1mm ABS edging.
- Doors, handles and benchtops are all sold separately.
- Discounts are available but conditions apply. Please refer to your price list and speak to your sales consultant to see if you are eligible.



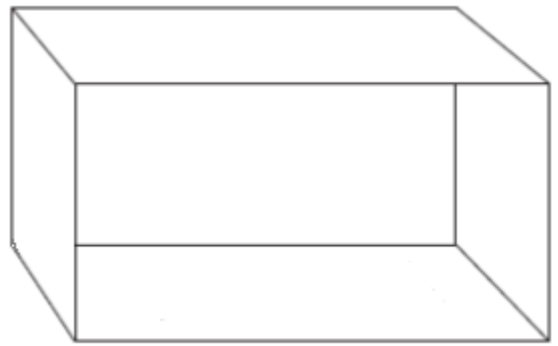
Hinged Door Rangehood Cabinets.

Ready To Assemble Flat Pack Cabinets.

Cabinet Code	Cabinet Dimensions	Cabinet Description
WRHC600	Height=600mm, Width=600mm, Depth=300mm,	Wall Rangehood Cabinet - Hinged for two doors.
WRHC900	Height=600mm, Width=900mm, Depth=300mm,	Wall Rangehood Cabinet - Hinged for two doors.

Important: Additional Notes.

- Hardware included consists of standard hinges with mounting plates, and cabinet screws.
- Material used is 16mm white HMR particleboard with 1mm ABS edging.
- Doors, handles and benchtops are all sold separately.
- Discounts are available but conditions apply. Please refer to your price list and speak to your sales consultant to see if you are eligible.



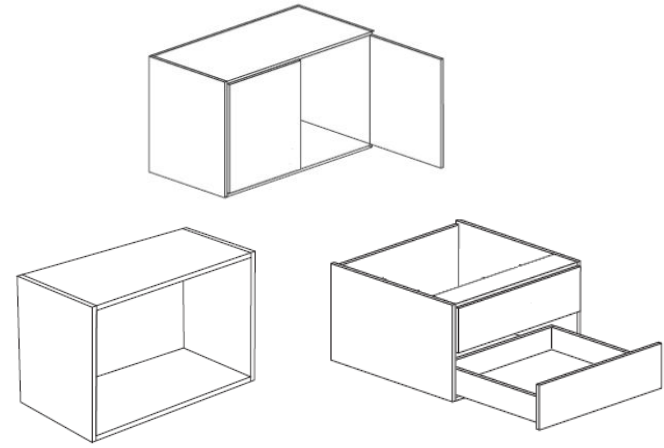
Wall Oven Cabinets.

Ready To Assemble Flat Pack Cabinets.

Cabinet Code	Cabinet Dimensions	Cabinet Description
WOOHC600	Height=490mm, Width=600mm, Depth=300mm,	Wall Oven Overhead Cabinet - Hinged for two doors.
WOOHC900	Height=490mm, Width=900mm, Depth=300mm,	Wall Oven Overhead Cabinet - Hinged for two doors.
Cabinet Code	Cabinet Dimensions	Cabinet Description
WOMC600	Height=415mm, Width=600mm, Depth=450mm,	Wall Oven Microwave Cabinet.
WOMC900	Height=415mm, Width=900mm, Depth=450mm,	Wall Oven Microwave Cabinet.
Cabinet Code	Cabinet Dimensions	Cabinet Description
WOBCS1DR600	Height=430mm, Width=600mm, Depth=580mm,	Wall Oven Base Cabinet - Standard Multitech 1 Drawer.
WOBCS1DR900	Height=430mm, Width=900mm, Depth=580mm,	Wall Oven Base Cabinet - Standard Multitech 1 Drawer.
WOBCU1DR600	Height=430mm, Width=600mm, Depth=580mm,	Wall Oven Base Cabinet - Upgrade Innotech 1 Drawer.
WOBCU1DR900	Height=430mm, Width=900mm, Depth=580mm,	Wall Oven Base Cabinet - Upgrade Innotech 1 Drawer.
WOBCS2DR600	Height=430mm, Width=600mm, Depth=580mm,	Wall Oven Base Cabinet - Standard Multitech 2 Drawer.
WOBCS2DR900	Height=430mm, Width=900mm, Depth=580mm,	Wall Oven Base Cabinet - Standard Multitech 2 Drawer.
WOBCU2DR600	Height=430mm, Width=600mm, Depth=580mm,	Wall Oven Base Cabinet - Upgrade Innotech 2 Drawer.
WOBCU2DR900	Height=430mm, Width=900mm, Depth=580mm,	Wall Oven Base Cabinet - Upgrade Innotech 2 Drawer.

Important: Additional Notes.

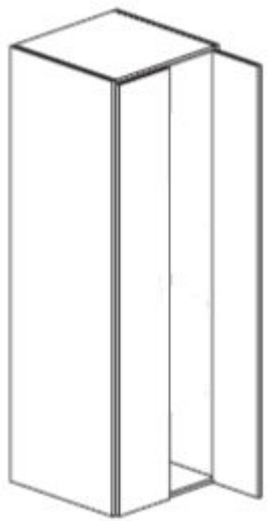
- Hardware included (where applicable) consists of standard hinges with mounting plates, drawers, adjustable legs with blocks, white shelf supports, drawer runner screws and cabinet screws.
- Material used is 16mm white HMR particleboard with 1mm ABS edging.
- Doors, handles and benchtops are all sold separately.
- Discounts are available but conditions apply. Please refer to your price list and speak to your sales consultant to see if you are eligible.



Pantry Cabinets.

Ready To Assemble Flat Pack Cabinets.

Cabinet Code	Cabinet Dimensions	Cabinet Description
PC300	Height=2055mm, Width=300mm, Depth=580mm,	Pantry Cabinet - Hinged for a single door.
PC400	Height=2055mm, Width=400mm, Depth=580mm,	Pantry Cabinet - Hinged for a single door.
PC450	Height=2055mm, Width=450mm, Depth=580mm,	Pantry Cabinet - Hinged for a single door.
PC500	Height=2055mm, Width=500mm, Depth=580mm,	Pantry Cabinet - Hinged for a single door.
PC600	Height=2055mm, Width=600mm, Depth=580mm,	Pantry Cabinet - Hinged for a single door.
PC700	Height=2055mm, Width=700mm, Depth=580mm,	Pantry Cabinet - Hinged for two doors.
PC800	Height=2055mm, Width=800mm, Depth=580mm,	Pantry Cabinet - Hinged for two doors.
PC900	Height=2055mm, Width=900mm, Depth=580mm,	Pantry Cabinet - Hinged for two doors.



Important: Additional Notes.

- Hardware included consists of standard hinges with mounting plates, adjustable legs with blocks, white shelf supports and cabinet screws.
- Material used is 16mm white HMR particleboard with 1mm ABS edging.
- Doors, handles and benchtops are all sold separately.
- Discounts are available but conditions apply. Please refer to your price list and speak to your sales consultant to see if you are eligible.

Broom Storage Cabinets.

Ready To Assemble Flat Pack Cabinets.

Cabinet Code	Cabinet Dimensions	Cabinet Description
BSC300	Height=2055mm, Width=300mm, Depth=580mm,	Broom Storage Cabinet - Hinged for a single door.
BSC400	Height=2055mm, Width=400mm, Depth=580mm,	Broom Storage Cabinet - Hinged for a single door.



Important: Additional Notes.

- Hardware included consists of standard hinges with mounting plates, adjustable legs with blocks, and cabinet screws.
- Material used is 16mm white HMR particleboard with 1mm ABS edging.
- Doors, handles and benchtops are all sold separately.
- Discounts are available but conditions apply. Please refer to your price list and speak to your sales consultant to see if you are eligible.

Ready To Assemble Flat Pack Cabinets.



Unit 2/8 Anella Avenue

Castle Hill, NSW 2154

P: 02 9680 2925

F: 02 9899 3129

E: sales@boardandbenchtops.com.au

Opening Hours.

Monday – Thursday
7:30am - 4:30pm

Friday
7:30am - 3:30pm

www.boardandbenchtops.com.au